

Products *Updates* 2024

Frag
dal 1921

Index:

002–023

Products

Updates

Syren Chair (002)

Syren Sofa (006)

Hug Sofa (010)

Clubby Dining (022)

024–026

Technical

Sheet

Syren

① Syren, è una poltroncina dining articolata in equilibrio tra morbidezza e leggerezza. La sua struttura in tubolare metallico funge da sostegno per l'ampia fascia in cuoio che avvolge e contiene gli elementi imbottiti. La seduta, particolarmente confortevole grazie al suo ampio cuscino, offre una sensazione di comfort totale, mentre lo schienale si adatta ergonomicamente al corpo. La struttura in metallo si contrappone invece per leggerezza e profili sottili. Un rigore contemporaneo, che trae ispirazione dal passato.

② Syren is a dining chair that expresses the delicate balance of softness and lightness. Its tubular metal structure supports the wide leather band that envelops and contains the upholstered elements. The seat, particularly comfortable with its large cushion, provides a feeling of total comfort, while the backrest ergonomically adapts to the body. The metal frame shows a contrasting lightness of slender profiles. It embodies a contemporary rigor inspired by the past.

Chair



Syren (Chair)





Syren

① Articolato tra morbidezza e leggerezza, Syren è un divanetto due posti caratterizzato da una struttura in tubolare metallico che funge da supporto per l'ampia fascia in cuoio che avvolge e contiene gli elementi imbottiti. La comoda seduta è composta da un unico cuscino strutturale, voluminoso e con una forte presenza estetica. Lo schienale e i braccioli sono invece pensati come cuscini mobili e soffici, che si adattano al corpo per una sensazione di comfort totale. Un rigore contemporaneo, che trae ispirazione dal passato.

② In between softness and lightness, Syren is a two-seater sofa characterized by a tubular metal frame that supports the wide leather band that envelops the padded elements. The comfortable seat consists of a single structural cushion that is both voluminous and visually appealing, while the backrest and armrests are designed as soft mobile cushions that adapt to bodily contours for total comfort. The personality of this new member of the Syren family emerges in the details and finishes, with a contemporary precision that draws inspiration from the past.

Sofa



Syren (Sofa)





Hug

D: Werner Aisslinger

① Hug è un divano modulare caratterizzato da curve morbide e grande comfort. Le sue linee straordinariamente semplici richiamano la classicità. Offre un'esperienza di comfort estremo grazie alle sue imbottiture generose e soffici. La sua modularità consente composizioni lineari e angolari oppure personalizzate, con dimensioni e forme differenti. I volumi sono accoglienti, gli schienali alti e avvolgenti, i braccioli leggermente piegati verso l'esterno quasi come dei petali, richiamando forme organiche del mondo della botanica.

② Hug is a modular sofa characterized by soft curves, great comfort and extraordinarily simple lines able to evoke classic style. Designed to grace any space, Hug Sofa offers the extreme comfort of soft, generous padding: the seat cushions, backrests and armrests are completed with a layer of memory foam and wadding for enhanced softness. Modularity makes it possible to create customised linear and angular layouts of varied sizes and shapes. The volumes are welcoming, with high enveloping backrests and the armrests slightly curved outwards almost like petals, recalling organic forms from the botanical world.

Sofa



Hug (Sofa)





Hug (Sofa)





Hug (Sofa)





Hug (Sofa)





Hug (Sofa)





Clubby Dining

D: Christophe Pillet

① La famiglia Clubby si arricchisce con la poltrona e il pouf dining. Particolarmente adatta agli spazi comuni e agli utilizzi più legati al mondo del contract, grazie alle loro proporzioni contenute e alla molteplicità di rivestimenti disponibili. Il pouf può essere in pelle o tessuto, e la dining armchair lascia completo spazio alla personalizzazione: scocca in cuoio e imbottitura in pelle o tessuto, monomaterica tutta in pelle o tutta in tessuto, esterno in pelle ed interno in tessuto, oltre alle particolari versioni con scocca rivestita in pelle intrecciata, ideali per progetti su misura.

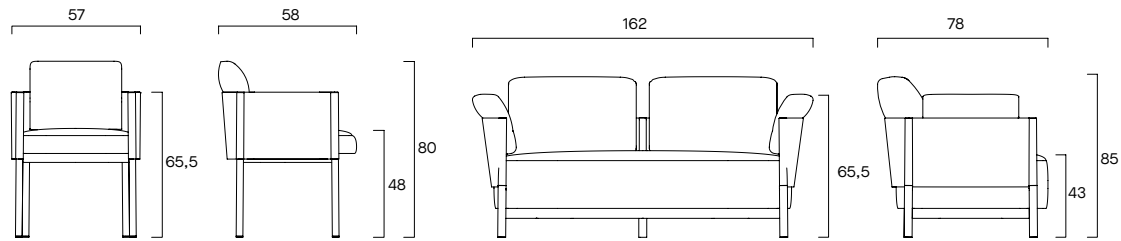
② The Clubby family enriched with the dining armchair and pouf. They are particularly suited to shared spaces and are most commonly associated with the contract sector, as a result of their compact proportions and the wide range of available upholstery. The pouf comes in leather or cloth, and the dining armchair leaves ample room for : the shell is padded in leather or cloth, single-texture with leather or fabric or leather on the outside and cloth on the inside. There are also special versions with a shell made from braided leather, ideal for custom designs.

Chair, pouf



Technical Sheet

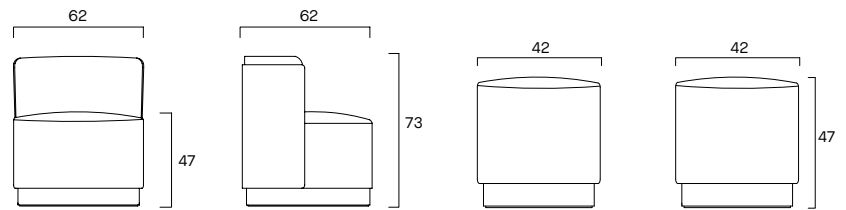
↳ Syren



Syren P
FG54201

Syren TS Sofa
FG54202

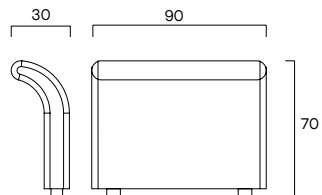
↳ Clubby Dining



Clubby Dining
FG49301

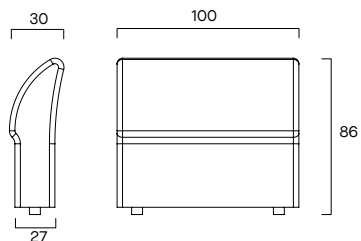
Clubby Dining Pouf
FG49311

↳ Hug Modular, Armrest

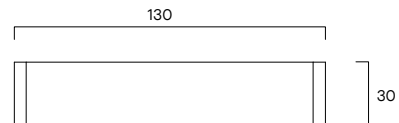


Hug Armrest 100
BR 54800

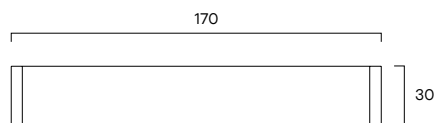
↳ Hug Modular, Backrest



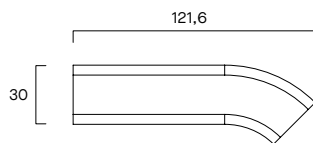
Hug Backrest 100
SH54800



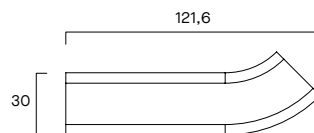
Hug Backrest 130
SH54801



Hug Backrest 170
SH54802

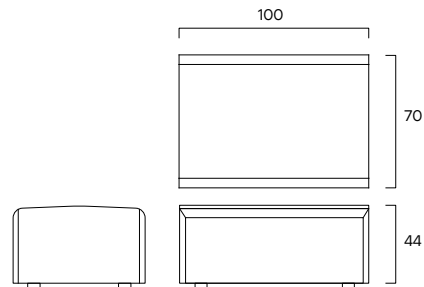


Hug Round Backrest DX
SH54803

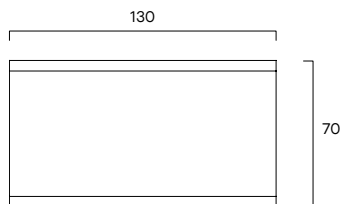


Hug Round Backrest SX
SH54804

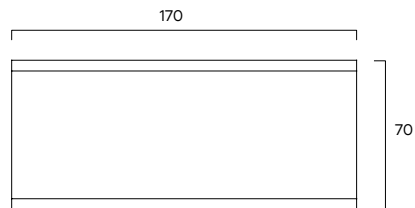
↳ Hug Modular, Seats



Hug Seat 100
SD54800



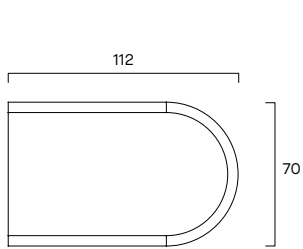
Hug Seat 130
SD54801



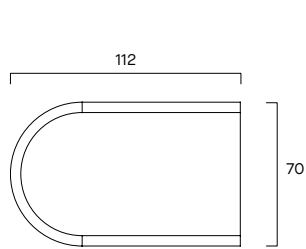
Hug Seat 170
SD54802

Technical Sheet

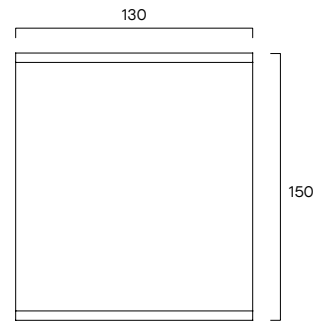
↳ Hug Modular, Seats



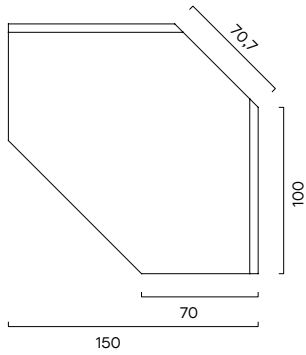
Hug Round Seat DX
SD54803



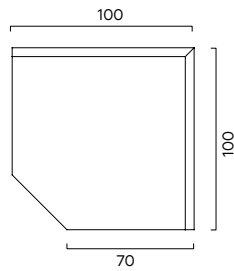
Hug Round Seat SX
SD54804



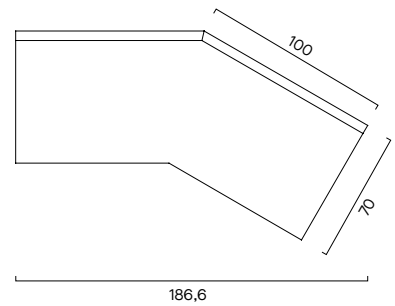
Hug Chaise Longue
SD54805



Hug Hexagonal Seat
SD54806



Hug Pentagonal Seat
SD54807



Hug 30° Angular Seat
SD54808

Colophon

Company info

Frag Srl
Via della Tecnologia 21
33050 Pavia di Udine
Udine Italia
Tel. +39 0432 671375
frag@frag.it
www.frag.it

Credits

Concept and Design
Choice—Studio

Illustrations
Choice—Studio

Project coordination
Federica di Fonzo

Photos
Tassotto & Max
Paolo Riolzi

Color separation
Luce srl

Printed in Italy by
OGM Spa
July 2024

The colour reproduced in the images, printed or in video, may differ from the actual colour of the material and should be regarded as a mere example. For a real comparison, we recommend using an original colour sample of the material.

Frag reserves the right to introduce any changes to its own models without prior notice. Color tones may vary from one dye lot to another.

© 2024 by Frag srl
All rights reserved



<https://www.frag.it>