



DESIGNER

Monica Armani

DESCRIPTION

The Tosca collection is simultaneously warm and inviting, stylish and intriguing. An elegant seating shell in powdercoated stainless steel is upholstered with extra-large, vertical braiding. The braiding material is genuinely innovative : foam mousse is encased in a seamless sheath of knitted textilene and polyolefine which makes the material weather-resistant, but also surprisingly soft to touch. The seating comfort is especially pleasant, also thanks to the comfortable outdoor cushions.

MATERIALS

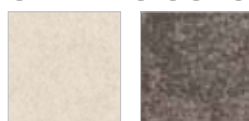
- Frame : 304 stainless steel, powdercoated with ultra durable polyester coating
- Upholstery : braiding with EPDM foam mousse in a knitted sheath of Tricord (polyolefine) and textilene. UV-, rot and mildew resistant. Tested in Xenon 2500 hours, QUV 2500 hours and 1 year real weather test in Belgium and Singapore.
- Seat : Batyline®
- Cushions : water-repellent filling, UV-resistant outdoor fabric
- Table top : ceramic on glass.

COLOURS



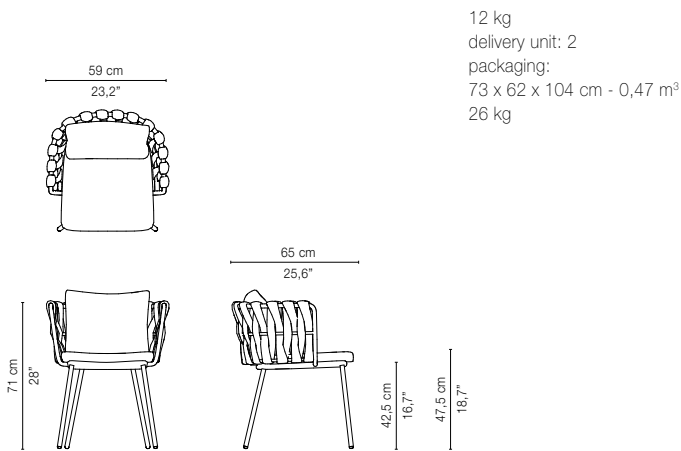
10-Linen 89-Wengé

CERAMIC COLOURS

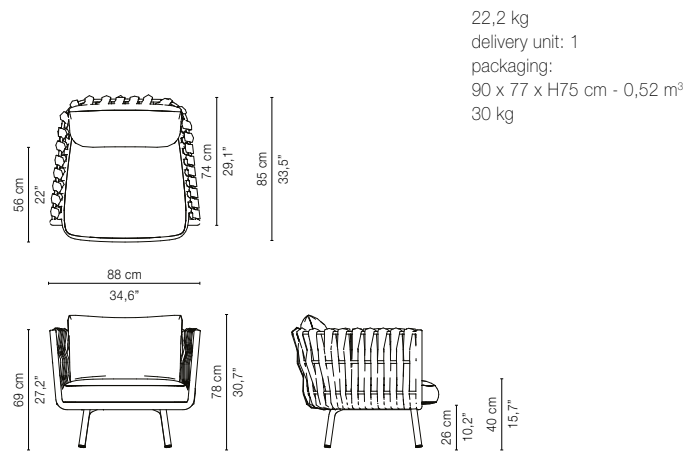


10-Linen 89-Piombo

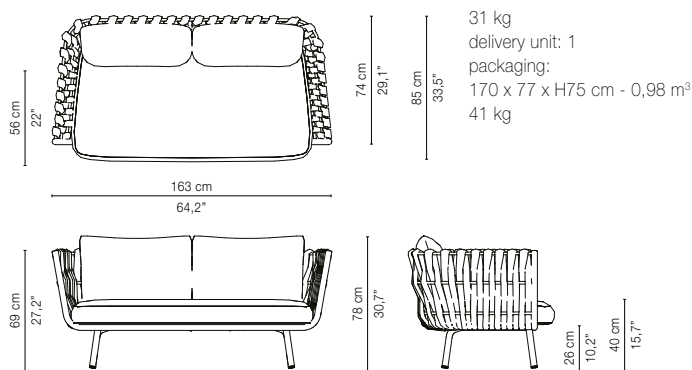
05318- x - Armchair



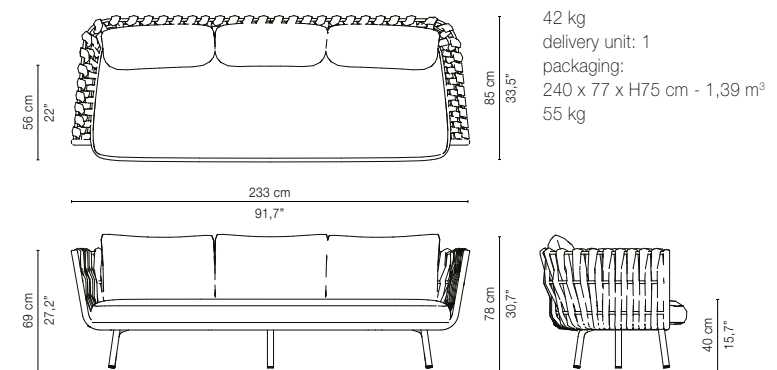
05302- x - Clubchair



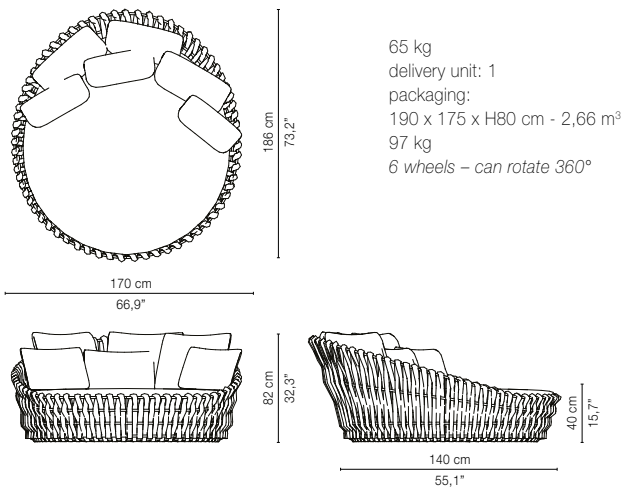
05308- x - Sofa 163cm



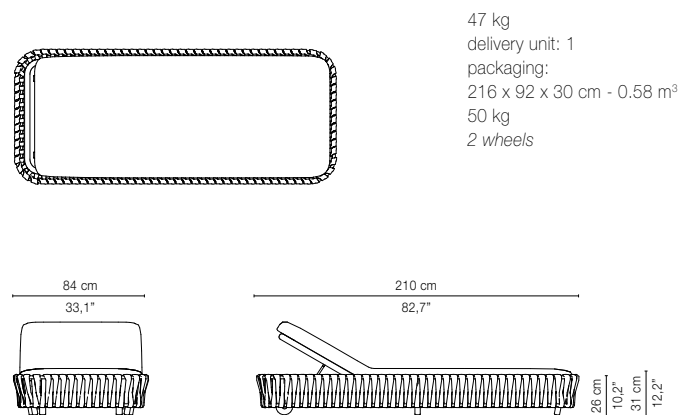
05309- x - Sofa 233cm



05349- x - Daybed



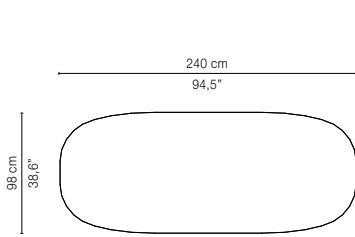
05340- x - Lounger



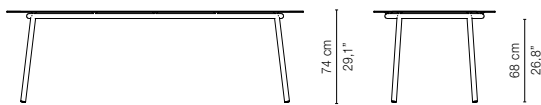
* The cushions on the drawings are not included in the article. Appearances, measurements and weights may slightly differ from reality.

TECHNICAL DRAWINGS*

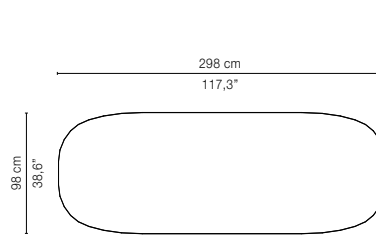
05355- x - Dining table 240cm



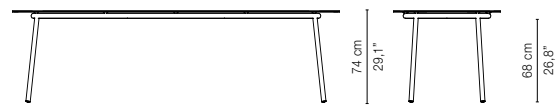
69 kg
 delivery unit: 1
 packaging A: 58 kg
 246 x 104 x 4 cm - 0,10 m³
 packaging B: 15 kg
 210 x 84 x 8 cm - 0,14 m³



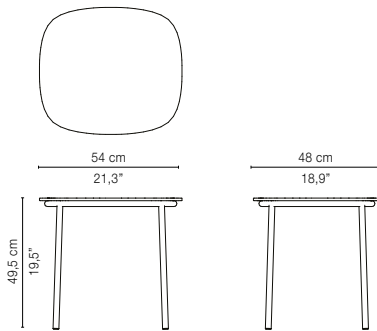
05354- x - Dining table 298cm



90 kg
 delivery unit: 1
 packaging A: 72,5 kg
 304 x 104 x 4 cm - 0,12 m³
 packaging B: 24 kg
 270 x 85 x 8 cm - 0,18 m³

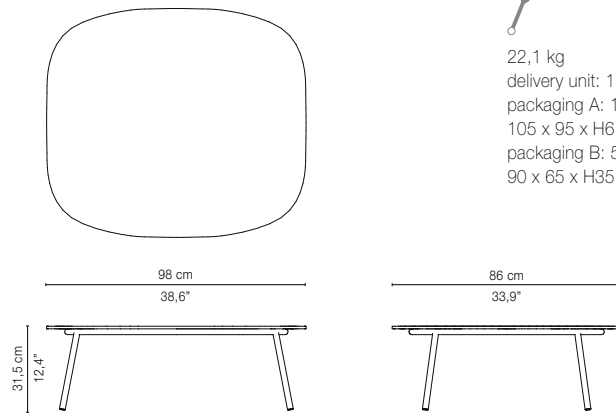


05381-x - Side table



9,25 kg
 delivery unit: 1
 packaging A: 4,95 kg
 61 x 55 x H6 cm - 0,02 m³
 packaging B: 4,3 kg
 53 x 47 x H41 cm - 0,10 m³

05386- x - Coffee table



22,1 kg
 delivery unit: 1
 packaging A: 16,5 kg
 105 x 95 x H6 cm - 0,06 m³
 packaging B: 5,6 kg
 90 x 65 x H35 cm - 0,20 m³

* The cushions on the drawings are not included in the article. Appearances, measurements and weights may slightly differ from reality.

CUSHIONS

The references of the cushions of each available item, are listed on the previous pages.

Fabrics : cat. D, E & F

Filling : All cushions are water-repellent. The filling has a cover in a laminated, water-repellent polypropylene material which prevents water from penetrating. The thread used to stitch the seams swells when getting wet, preventing water from penetrating through the seams. Moreover, the seams are protected on the inside with an extra covering. If nevertheless water should penetrate, the material is breathable, letting moisture out to prevent moulding.

Option lumbar cushion: C0013W



PROTECTION COVERS

Covers in waterproof, PU-breathable material are available for each item. Colour grey.

MAINTENANCE

Rinse the braiding regularly with clean water or use Tribù Textile cleaner (D9925). For intensive cleaning, use Tribù Synthetics Super Cleaner (D9922). This cleaner also works perfectly for the powdercoated stainless steel frame. Always rinse the furniture with clean water after treatment with Tribù cleaning agents. Allow the Tricord braid to dry and treat with Tribù Textile Protector (D9924). This will apply an invisible repellent film which enables the furniture to dry quicker and reduces the adhesion of dirt, stains and pollution. The cleaning will become easier, less frequent and requires mainly rinsing with clean water.



PROJECT REFERENCES

Ritz-Carlton, Moscow – Tosca armchair and Branch contract tables



Twin-Peaks, Singapore – Tosca daybed

